

## HBL2511 -- Twist-Lock Plug



4P5W, 20A 3PH 120/208V AC, L21-20P, Black & White Nylon

### Product Specifications

**Product Type**



**Product Item**

Plug

**Wiring Scheme**

4 Pole, 5 Wire Grounding

**Amperage**

20A

**Voltage**

3 Phase Y 120/208V AC

**NEMA Configuration**

L21-20P

**Item Style**

Insulgrip

**Device Color**

Black/White

**Horsepower**

2

**Cord Dia.**

.35"-1.15" (9-29)

**Blade Holder Material**

Natural White Nylon

**Terminal Retainer Material**

Clear polycarbonate

**Housing Material**

Black nylon

**Cord Clamp Material**

Natural (white) nylon

**Blade Material**

Brass

<b>Terminal Clamp Material</b>	.08" (2) steel-nickel plated
<b>Terminal Screw Material</b>	#10-32 Brass (white finish on neutral screw when used) Multi-drive
<b>Ground Screw Material</b>	#10-32 Brass (green finish) Multi-drive
<b>Cord Clamp Screw Material</b>	Steel, zinc plated Multi-drive
<b>Body Holding Screw Material</b>	Steel, zinc plated Multi-drive
<b>Ratings</b>	Molded into face.
<b>Catalog No.</b>	Permanently ink marked on body.
<b>Dielectric Voltage Withstand</b>	2,000V minimum
<b>Current Interrupting</b>	Certified for current interrupting at full rated current.
<b>Temperature Rise</b>	Max 30 C temperature rise at full rated current after 50 cycles of overload at 150% of rated current at a power factor of .75.
<b>Cord Accommodation</b>	Round portable service cords of diameters commensurate with the device rating as defined in UL Standard 62, CSA C22.2 No. 49.
<b>Terminal Accommodation</b>	20A #12 AWG
<b>Terminal Identification</b>	Terminals identified in accordance with UL 498 (X, Y, Z, White, Green)
<b>Flammability</b>	HB or better per UL 94 or CSA 22.2 No. 0.6
<b>Operating Temperatures</b>	Maximum Continuous 75 C Minimum -40 C (w/o impact)
<b>Moisture Resistance</b>	IP20
<b>Listings</b>	FED SPEC UL/CSA
<b>Feature Info</b>	Black and white nylon.
<b>Catalog Page</b>	<a href="#">Click here for catalog page B51</a>
<b>Brochures</b>	<a href="#">Click here for product brochure</a>
<b>Hubbellnet</b>	<a href="#">Click here for Hubbellnet</a>
<b>Catalog Section</b>	<a href="#">Click here for Section-B</a>
<b>UPC Number</b>	78358503853
<b>Weight in LBs</b>	0.3



NEMA L21-20P  
**20A 3ØY**  
**120/208V AC**  
UL/CSA  
2 HP

NEMA  
Configuration



# TWIST-LOCK® Devices

## 4 Pole, 5 Wire Grounding

20 Ampere, 3Ø Y 120/208, 277/480 and 347/600 Volts AC

Receptacles, INSULGRIP® Connector Bodies, Flanged Devices and Plugs



NEMA L21-20R  
20A 3ØY  
120/208V AC  
UL/CSA  
2 HP



NEMA L22-20R  
20A 3ØY  
277/480V AC  
UL/CSA  
5 HP

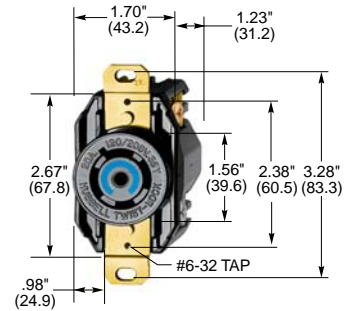


NEMA L23-20R  
20A 3ØY  
347/600V AC  
UL/CSA

### Single Flush Receptacles, Back and Side Wired

Description	Catalog Numbers		
Black nylon face.	<b>HBL2510</b>	<b>HBL2520*</b>	<b>HBL2530*</b>
Isolated ground, orange nylon face.	<b>IG2510</b>	-	-

\*Not Fed Spec



**HBL2510**

### Insulgrip Connector Bodies IP20 SUITABILITY

Description	Catalog Numbers		
Black and white nylon.	<b>HBL2513</b>	<b>HBL2523</b>	<b>HBL2533</b>
Corrosion resistant, yellow nylon.	<b>HBL25CM13</b>	-	-

Note: Cord grip range .35"-1.15" (9-29).



**HBL2513**

### Insulgrip Flanged Receptacles

Description	Catalog Numbers		
Nylon casing, back wired.	<b>HBL2516</b>	<b>HBL2526</b>	<b>HBL2536</b>



NEMA L21-20P  
20A 3ØY  
120/208V AC  
UL/CSA



NEMA L22-20P  
20A 3ØY  
277/480V AC  
UL/CSA  
5 HP

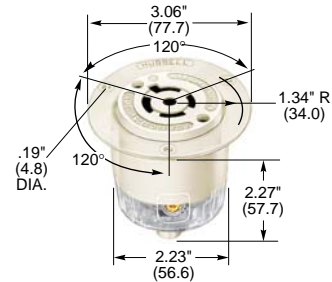


NEMA L23-20P  
20A 3ØY  
347/600V AC  
UL/CSA

### Insulgrip Plugs IP20 SUITABILITY

Description	Catalog Numbers		
Black and white nylon.	<b>HBL2511</b>	<b>HBL2521</b>	<b>HBL2531</b>
Corrosion resistant, yellow nylon.	<b>HBL25CM11</b>	-	-

Note: Cord grip range .35"-1.15" (9-29).



**HBL2516**

### Insulgrip Flanged Inlets

Description	Catalog Numbers		
Nylon casing, back wired.	<b>HBL2515</b>	<b>HBL2525</b>	<b>HBL2535</b>

Notes: Only receptacles and plugs 480V AC or less are HP rated.

HP ratings for receptacles and plugs only.

All HP rating are AC only.

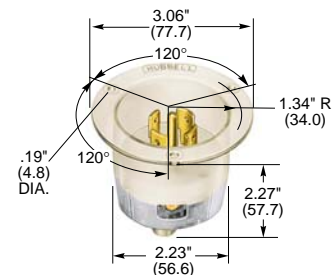
See pages B-70 and B-71 for accessories.

See page B-83 for technical data.

See page B-63 for switched enclosure.



**HBL2511**



**HBL2515**

